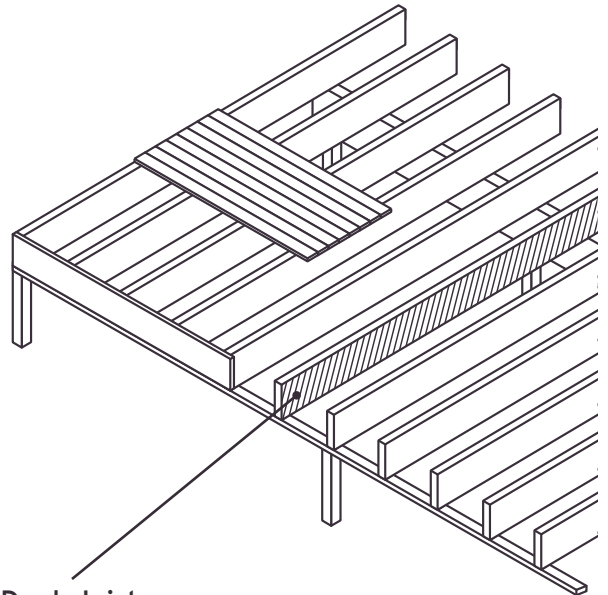


DECK JOIST: T3 GREEN+ MGP10

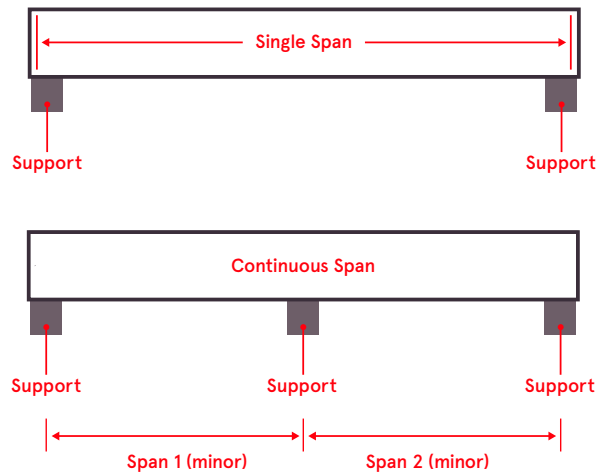
Size	Single Span	Continuous Span
70 x 35	0	0
90 x 35	900	1500
140 x 35	2300	2800
190 x 35	3300	3700
240 x 35	4300	4500
70 x 45	0	0
90 x 45	1400	1800
140 x 45	2600	3000
190 x 45	3600	4100
240 x 45	4800	5100

Table values relate to allowable maximum joist span @450mm.



Deck Joist

A floor joist is one of a number of parallel members to support flooring. In the case of a deck joist, the joists are designed for timber deck areas.



For a member to be considered 'continuous' it shall span at least 2 adjacent spans such that span 1 is greater than or equal to $0.75 \times \text{Span 2}$.

The major span is taken from the continuous span table e.g. if span 2 = 6.0 then span 1 is greater or equal to 4.5m. Otherwise each span is to be considered 'single.'