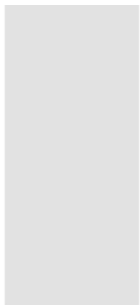


Weather-tough Composite doors

5 designs, now available



FLS
Flush Smooth



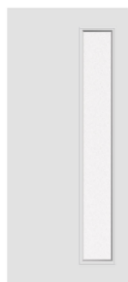
FLFP1SSC
Smooth, Glazed
Clear Laminated



FLF1SSC
Smooth, Glazed
Clear Laminated



FLAR12SST
Smooth, Glazed
Translucent Laminated



FLF10SST
Smooth, Glazed
Translucent Laminated

Designed to withstand Australian weather extremes, Composite doors won't rust, rot, twist, or dent.

- Perfect for back doors or garage access where overhead protection is limited, or as front doors when minimal maintenance is a priority.
- Hard-wearing, impact-resistant skins (Glass Reinforced Polyester).
- High insulation and U-value.
- Can be trimmed, drilled, and machined just like timber, and painted any colour in a standard paint finish.
- Sizes available:
2040 x 820 x 40mm - All designs
2340 x 820 / 920 x 40mm - FLS and FLF10SST

10 Year Warranty

Regardless of weather exposure

Speak to your Corinthian Doors sales representative for further information.

Find your match

More to admire with Moda

Your favourite Moda Primed
designs, now available with
mirror back option.



The oh-so necessary, full-height mirror is often forgotten until move in. Check this box in advance by opting for our sleek, integrated mirror back option - **now available to all Moda Primed, solid infill designs.**

Perfect for the back of bedroom or bathroom doors, or the inner side within hinged wardrobe applications.

- Available to PMOD 1-24 designs
- Standard door sizes:
2040 x 620, 720, 820 & 870
2340 x 720, 820, 870
- Not available for Glazed Moda doors, or Moda White Oak doors.

Speak to your Corinthian Doors sales representative to find out more.

Front

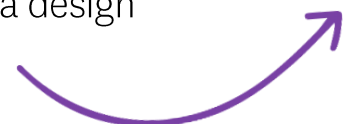


Your favourite
Moda design

Back



Mirror back



Keep wires in check with the **Cavity Switch Unit**

Available to suit **all** Corinthian cavity systems.



Designed specifically for cavity sliding door units, this simple solution makes installing electrical switches in tight areas a breeze.

Available to suit all Corinthian cavity systems, the Cavity Switch Unit allows light switches and GPOs to be installed exactly where they need to be – improving accessibility.

- Lightweight and simple to install
- Suitable for both horizontal and vertical switches
- Designed to fit standard 90mm and 100mm stud thickness cavity sliding door units
- Designed to fit any standard timber or metal sliding door unit, from 620mm to 920mm wide doors
- Can be cut to size onsite using the sizes marked on the unit
- Sold separately to Corinthian cavity units

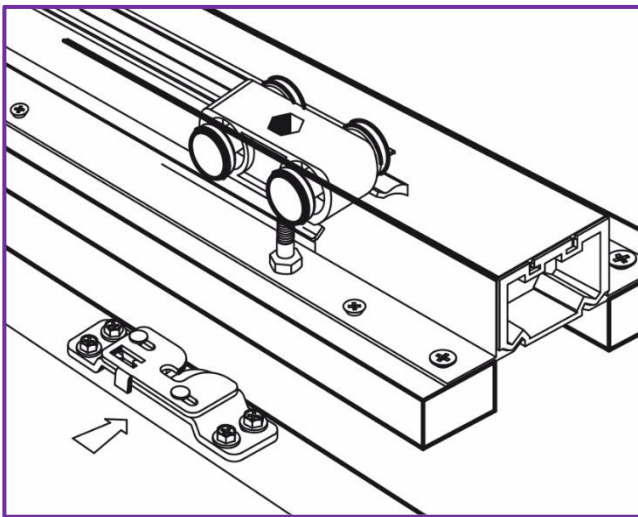
Please note: All electrical work must only be completed and serviced by an appropriately qualified and licensed electrician.

Speak to your Corinthian Doors sales representative about ordering Cavity Switch Units for your next project.



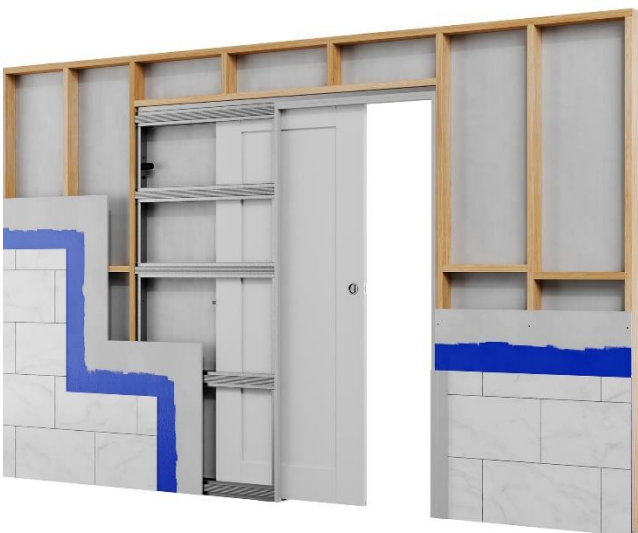
Sliding Cavity Door Installation **Made Easy**

QuickFix brackets now standard to Platinum 4000 cavity units.



Installing the door to your sliding cavity unit is now even faster with QuickFix brackets. Simply push the roller bolt into the bracket opening and the auto-lock mechanism secures it in place.

- Improved rollers with a captive nyloc nut and rubber seal, alleviate the issue of nuts becoming loose and doors from dropping over time.
- Standard on all Platinum 4000 units, sizes available in 90mm stud thickness: 2040 / 2340 x 620, 720, 770, 820, 870, 920 & 1020



Speak to your Corinthian Doors sales representative to find out more.

NCC 2022 Doors & Doorways

Compliance made easy



Background

The introduction of NCC 2022 will see new Liveable Housing requirements introduced, aimed at improving the suitability of new Australian homes for people with mobility constraints. These Liveable Housing requirements will have implications for doors and doorways in the states adopting these standards.

Liveable Housing adoption dates

State	Adoption date
Victoria	May 2024
Australian Capital Territory	October 2023
New South Wales	Not adopting
Queensland	October 2023
South Australia	October 2024
Western Australia	Not adopting
Northern Territory	October 2023
Tasmania	October 2024

Implications for doors & doorways

Minimum clear opening of 820mm for select doorways

To achieve the 820mm clear opening, no hardware or other components can obstruct this clear space. The following Corinthian Doors products meet these requirements when installed correctly:



All Internal **Swing-Hinged Doors** supplied at **870mm wide and above** when fitted with Corinthian Door Jambs (loose or fixed stops).



All Internal **Cavity Doors** supplied at **920mm wide and above** when fitted to Corinthian Cavity Door Systems.



All **External Doors** supplied at **920mm wide and above**.

Sealed, accessible, internal garage door system now available

Simplify your accessibility and energy efficiency requirements with Corinthian's internal garage door system, compliant with NCC 2022 Liveable Housing requirements.

- 1 Low-profile accessible sill with minimal 6° incline, compliant with Liveable Housing requirements.
- 2 High performance perimeter seal, reducing drafts, and preventing dust and pests from entering the home.
- 3 4-5 fin bottom sweep under door seal (sold separately to the frame).

- Compliant with 820mm doorway clearance requirements, using an 870mm door.
- Available to suit 870mm and 920mm doors in heights of 2040mm and 2340mm.
- Available to suit Open In, Open Out, Left or Right Hinged.



Platinum Steel Cavities now available **grab rail ready**

Simplify your accessible bathroom fit out with our new Grab Rail Reinforcement, available to all Platinum 4000 and 6000 cavity units.

- 1 Grab rail reinforcement tested to withstand a minimum weight of 112kg.
- Reduce installation time and effort onsite.
 - Compliant with new Liveable Housing requirements and AS1428.1 when paired with a compliant grab rail and installed correctly.

- Available to the left or right side of the cavity unit.
- Available to all Platinum 4000 and 6000 steel cavity units, accommodating doors up to 2340mm high × 1200mm wide.
- Available to both single and double units.

A suitable grab rail and installation detail must be followed to ensure compliance. Please check the relevant requirements for your state.



Integrated air vent now available to select interior doors

Improve air circulation in rooms without access to natural ventilation with our simple and unobtrusive Integrated Air Vent solution.

- 1 Durable, white powder-coated aluminium finish
- 2 Sleek, unobtrusive addition, designed to promote air flow and protect privacy.

- Perfect for rooms without access to natural ventilation, like powder rooms in the centre of a home.
- Achieve 14,000mm² free air ventilation for NCC compliance.
- 570mm × 57mm vent installed to both sides of the door.
- Quick and easy installation.

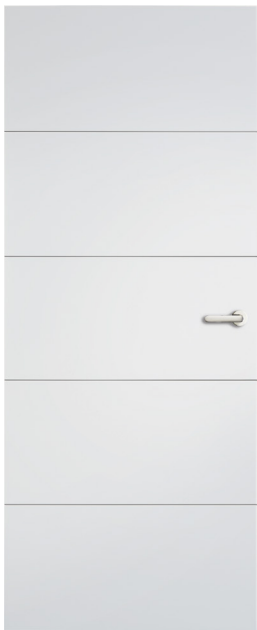
Not for use within External Doors, Joinery Doors under 820mm wide, Flush or Routed Doors under 720mm wide, Manhattan Collection, Ultima Core or Hollow Core Impressions Doors.



Compatible Interior Doors

All Corinthian interior doors are compatible with the Platinum Cavity and Sealed Internal Garage Door System.

Here are some ideal matches to consider that are also compatible with the Integrated Air Vent option (within the size limitations previously noted).



Deco 1S Solid Core



Moda PMOD1



Moda AMOD1



Balmoral PAL 1 Solid Core



Deco 4s Solid Core



Moda PMOD13



Moda AMOD8



Flush PMDF Solid Core

We're here to help

Speak to your Corinthian Doors
representative for further information

corinthian.com.au

1300 899 154